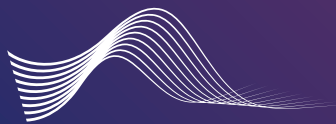


Audimute® Acoustic Ceiling Clouds



AUDIMUTE™
sound management solutions



FABRIC ACOUSTIC CEILING CLOUDS

FABRIC ACOUSTIC CEILING CLOUDS

Maintain your space's décor while improving the sound quality from above with Acoustic Clouds.

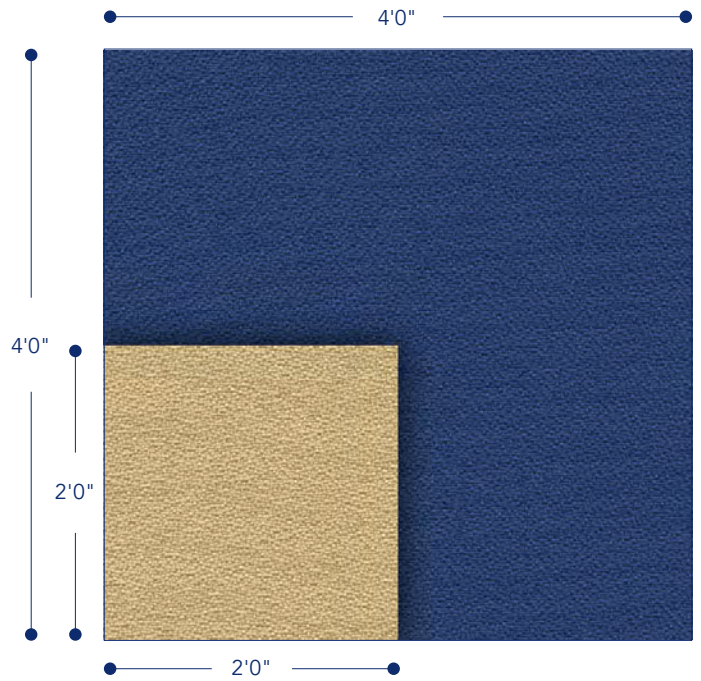
The perfect solution for spaces with limited wall space or sound reflecting off a ceiling. Choose from our high-quality fabric wrapped clouds or our image printed on acoustical fabric clouds. Audimute Acoustic Ceiling Clouds are lightweight and create a modern appearance combined with noise reduction and reverberation control.

Choose from square and rectangle sizes from 2'x2' to 4'x4', or 5 shapes in 2', 3', and 4' sizes from our Fabric Accent Acoustic Clouds offerings. Custom sizes, shapes, and cover materials are available upon request. See pages 18-23 to view the different size and shape options.

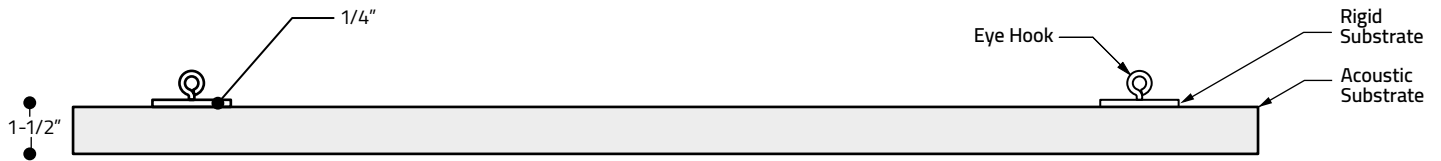


FABRIC ACOUSTIC CEILING CLOUDS

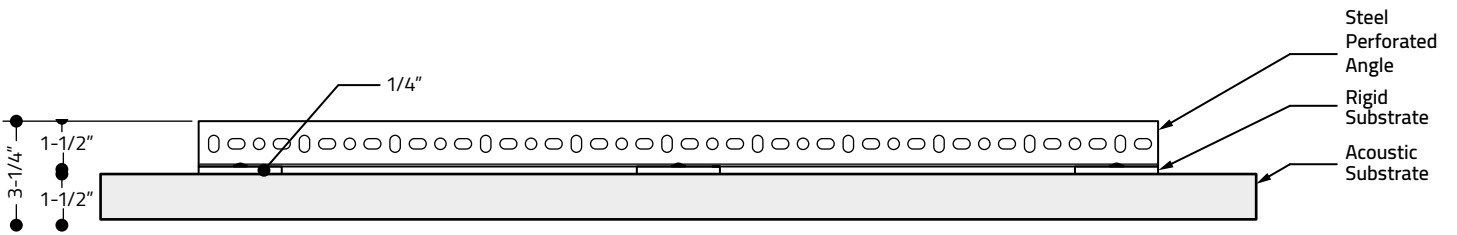
FABRIC CEILING CLOUD MIN. TO MAX. SIZE
(Custom Sizes Available)



ACOUSTIC CEILING CLOUD DETAIL (3'x3' and Smaller):



ACOUSTIC CEILING CLOUD DETAIL (3'x4' and Larger):



FABRIC ACOUSTIC CEILING CLOUDS: SPECIFICATIONS

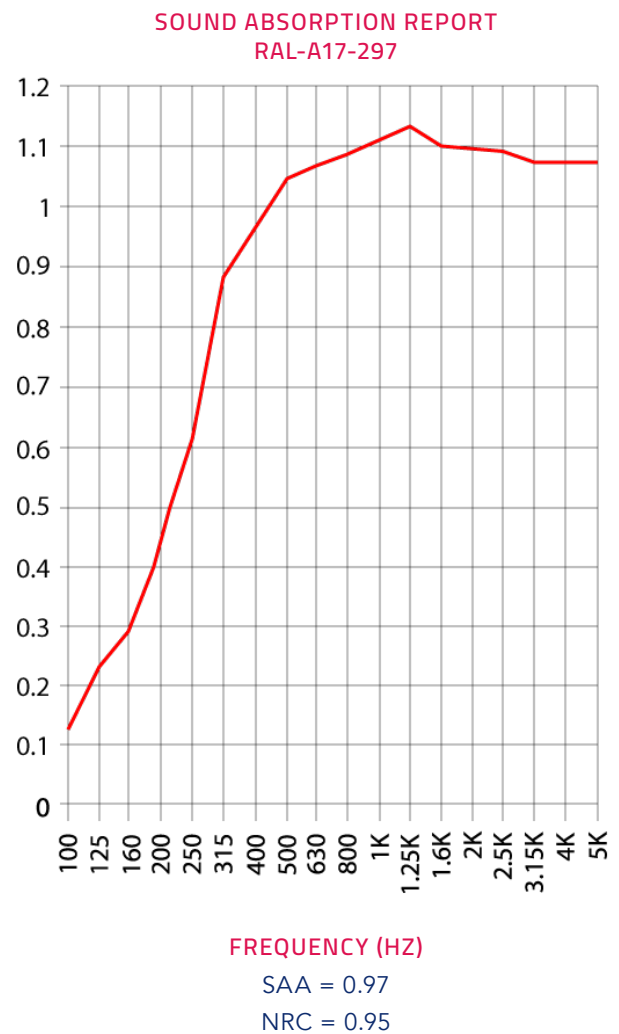
CONTENT	Acoustic substrate: P.E.T. 10% - 30%, Recycled Cotton 70% - 90% Fabric: Recycled polyester Rigid Substrate: beBond ACP, Steel Perforated Angle (3'x4' and Larger)
COMPONENTS	3'x3' and Smaller: Acoustic Substrate, Rigid Substrate, Eye Hooks, & Fabric 3'x4' and Larger: Acoustic Substrate, Rigid Substrate, Steel Perforated Angles, Self-Tapping Screws, & Fabric
THICKNESS	3'x3' and Smaller: 2.375" Total: 1-1/2" Acoustic Substrate, 1/4" Rigid Substrate, 5/8" Eye Hooks screwed in. 3'x4' and Larger: 3.25" Total: 1-1/2" Acoustic Substrate, 1/4" Rigid Substrate, 1-1/2" Steel Perforated Angle.
THICKNESS TOLERANCE	+ -1/4"
SIZES & WEIGHTS	2'x2' (4 lb), 2'x3' (6.5 lb), 2'x4' (8 lb), 3'x3' (8.75 lb), 3'x4' (16.5 lb), 4'x4' (22 lb) Hexagon: 20.75"x24" (2') (4 lb), 31.125"x36" (3') (8.75 lb), 41.5"x48" (4') (22 lb) Right Triangle: 24"x24"x34" (2') (2 lb), 36"x36"x51" (3') (4.5 lb), 48"x48"x67.96" (4') (7.5 lb) Triangle: 2'x2' (2') (1 lb), 3'x3' (3') (3 lb), 4'x4' (4') (5 lb)
FINISH OPTIONS	Fabric, Image printed on fabric
EDGE STYLE	Straight
APPLICATION	Indoor Ceiling
INSTALLATION	3'x3' and Smaller: Eye Hooks (included), Cable (not included) 3'x4' and Larger: Self-Tapping Screws, Steel Perforated Angles, Cable (not included)
HANDLING / CARE	When handling Acoustic Clouds make sure hands are clean and oil free. Vacuuming or light brushing is recommended to prevent dust and soil buildup
STORAGE	Acoustic Clouds must be stored in a dry place. Delivery Packaging is not ideal for storage purposes. It is advised to place a polyethylene cover over the stack when packaging is removed, to reduce moisture absorption. It is recommended that clouds be stored horizontally. It is recommended that clouds should not be stacked. It is strongly recommended to avoid storage longer than 6 months. Do not allow water to come into direct contact with the material during storage. Store in a cool dry space 55°F - 85°F.
FIRE RATING	ASTM E84 Class A.
COLOR FASTNESS TO LIGHT	Grade 4 min. at 40 hours
COLOR FASTNESS TO CROCK	Grade 4 min. dry & Grade 3 min. wet
ACOUSTIC RATING	NRC: 0.95

FABRIC ACOUSTIC CEILING CLOUDS: ACOUSTIC TESTING

Fabric Acoustic Ceiling Cloud Test Report

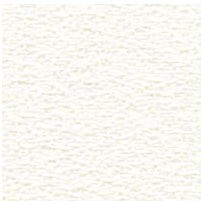
The test report quotes the frequency dependent sound absorption data as well as the single number ratings. Data taken from Test Report RAL-A17-297 conducted by Riverbank Acoustical Laboratories. Complete test results are available upon request.

FREQUENCY (HZ)	ABSORPTION COEFFICIENT
100	0.13
125	0.23
160	0.29
200	0.43
250	0.62
315	0.87
400	0.96
500	1.04
630	1.07
800	1.09
1000	1.11
1250	1.14
1600	1.10
2000	1.10
2500	1.09
3150	1.06
4000	1.07
5000	1.06

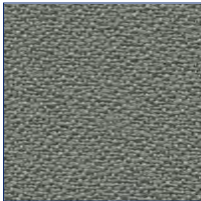


FABRIC ACOUSTIC CEILING CLOUDS: ANCHORAGE FABRICS

Create your own distinctive space with our Anchorage line of fabrics from Guilford of Maine.



White



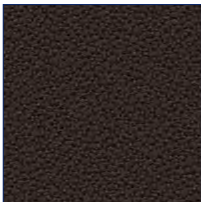
Asteroid



Graphite



Onyx



Coffee Bean



Vanilla



Birch



Fern



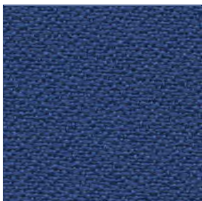
Green Apple



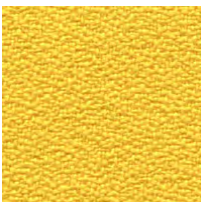
Waterfall



Quarry Blue



Lapis



Lemon



Pumpkin



Geranium



Orchid

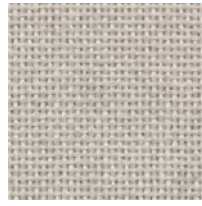
FABRIC ACOUSTIC CEILING CLOUDS: FR701 & SYNOPSIS FABRICS

The FR701 & Synopsis fabrics from Guilford of Maine are bleach-cleanable.

FR701 FABRICS:



Eggshell



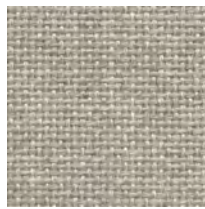
Pearl



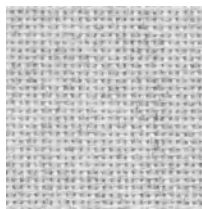
Quartz



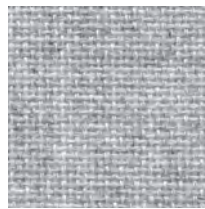
Opal



Cement Mix



Silver Papier



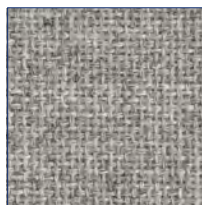
Blue Papier



Wedgewood



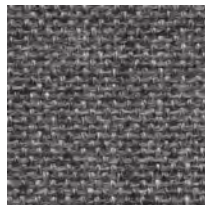
Silver Neutral



Grey Mix



Flannel



Medium Grey



Chartreuse



Sapphire



Red

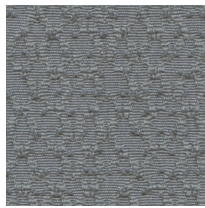


Black

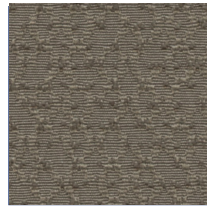
FABRIC ACOUSTIC CEILING CLOUDS: FR701 & SYNOPSIS FABRICS

The FR701 & Synopsis fabrics from Guilford of Maine are bleach-cleanable.

SYNOPSIS FABRICS:



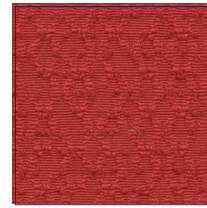
Ash



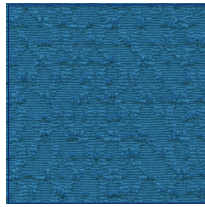
Taupe



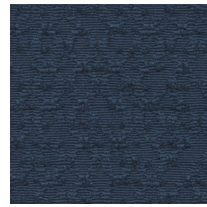
Bisque



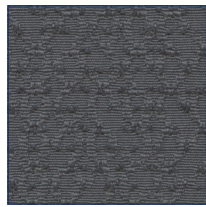
Poppy



Cerulean



Blue Marine



Flannel



Ebony



ACOUSTICOLOR®
ACOUSTIC CEILING CLOUDS

ACOUSTICOLOR® ACOUSTIC CEILING CLOUDS

AcoustiColor Acoustic Ceiling Clouds provide exceptional acoustical control.

AcoustiColor Acoustic Ceiling Clouds are lightweight and create a modern appearance combined with noise reduction and reverberation control. Stylish lines and soft shapes suspend horizontally from the ceiling and absorb sound across their entire surface for unequaled acoustical performance.

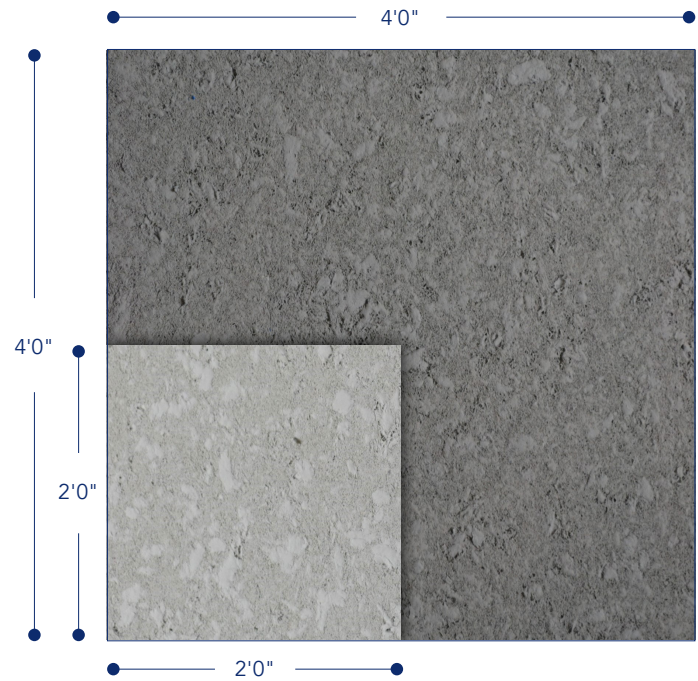
Add exceptional sound absorption, superior aesthetics, and design flexibility that reflects your individual personality and style with AcoustiColor Acoustic Ceiling Clouds.

Choose from square and rectangle sizes from 2'x2' to 4'x4', or 10 shapes in 2', 3', and 4' sizes from our AcoustiColor Accent Acoustic Clouds offering. Custom sizes, shapes, and cover materials are available upon request. See pages 18-23 to view the different size and shape options.

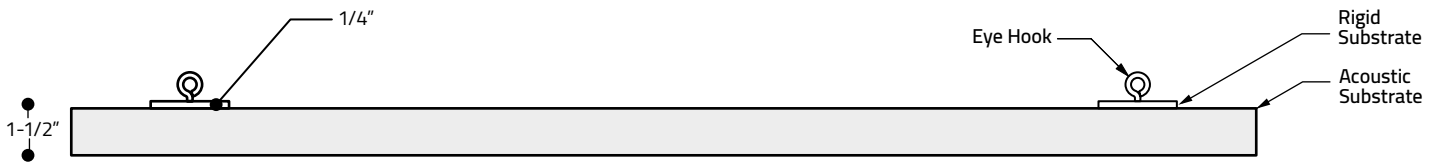


ACOUSTICOLOR® ACOUSTIC CEILING CLOUDS

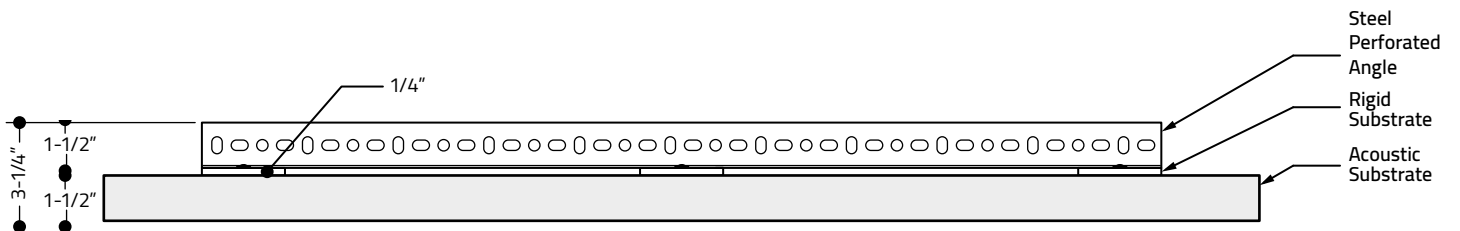
ACOUSTICOLOR CEILING CLOUD MIN. TO MAX. SIZE
(Custom Sizes Available)



ACOUSTIC CEILING CLOUD DETAIL (3'x3' and Smaller):



ACOUSTIC CEILING CLOUD DETAIL (3'x4' and Larger):



ACOUSTICOLOR® ACOUSTIC CEILING CLOUDS: SPECIFICATIONS

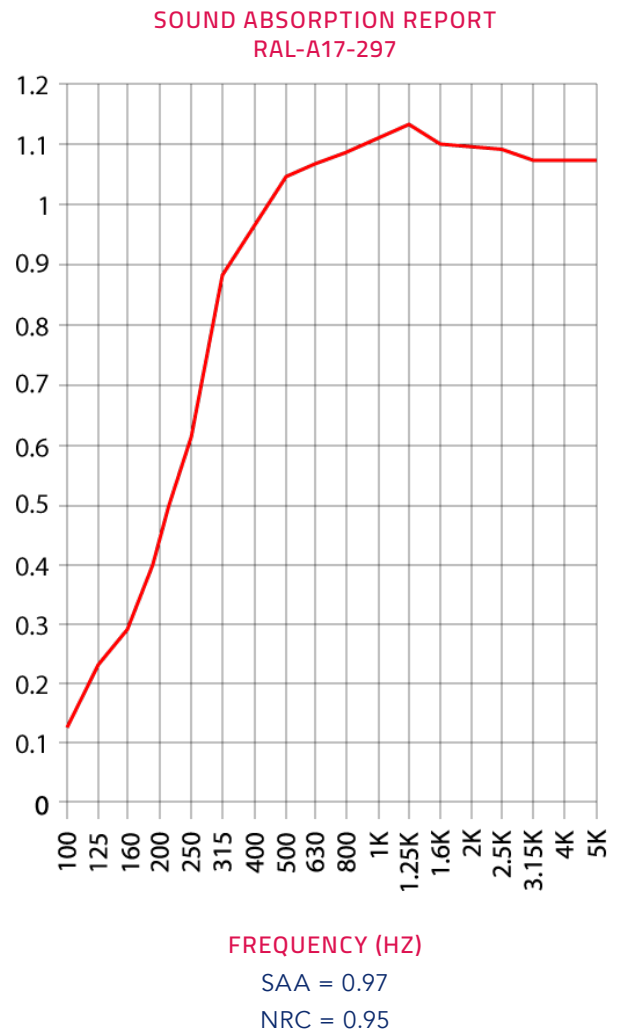
CONTENT	Acoustic substrate: P.E.T. 10% - 30%, Recycled Cotton 70% - 90% Rigid Substrate: beBond ACP, Steel Perforated Angles (3'x4' and Larger)
COMPONENTS	3'x3' and Smaller: Acoustic Substrate, Rigid Substrate, & Eye Hooks 3'x4' and Larger: Acoustic Substrate, Rigid Substrate, Steel Perforated Angles, & Self-Tapping Screws
THICKNESS	3'x3' and Smaller: 2.375" Total: 1-1/2" Acoustic Substrate, 1/4" Rigid Substrate, 5/8" Eye Hooks screwed in. 3'x4' and Larger: 3.25" Total: 1-1/2" Acoustic Substrate, 1/4" Rigid Substrate, 1-1/2" Steel Perforated Angle.
THICKNESS TOLERANCE	+ -1/4"
SIZES & WEIGHTS	2'x2' (4 lb), 2'x3' (6.5 lb), 2'x4' (8 lb), 3'x3' (8.75 lb), 3'x4' (16.5 lb), 4'x4' (22 lb) Hexagon: 20.75"x24" (2') (4 lb), 31.125"x36" (3') (8.75 lb), 41.5"x48" (4') (22 lb) Oval: 18"x24" (2') (4 lb), 27"x36" (3') (8.75 lb), 36"x48" (4') (22 lb) Right Triangle: 24"x24"x34" (2') (2 lb), 36"x36"x51" (3') (4.5 lb), 48"x48"x67.96" (4') (7.5 lb) Triangle: 2'x2' (2') (1 lb), 3'x3' (3') (3 lb), 4'x4' (4') (5 lb)
FINISH OPTIONS	AcoustiColor Coating
EDGE STYLE	Straight
APPLICATION	Indoor Ceiling
INSTALLATION	3'x3' and Smaller: Eye Hooks (included), Cable (not included) 3'x4' and Larger: Self-Tapping Screws, Steel Perforated Angles, Cable (not included)
HANDLING / CARE	When handling AcoustiColor Clouds make sure hands are clean and oil free. Vacuuming or light brushing is recommended to prevent dust and soil buildup.
STORAGE	AcoustiColor Clouds must be stored in a dry place. Delivery Packaging is not ideal for storage purposes. It is advised to place a polyethylene cover over the stack when packaging is removed, to reduce moisture absorption. It is recommended that clouds be stored horizontally. It is recommended that clouds should not be stacked. It is strongly recommended to avoid storage longer than 6 months. Do not allow water to come into direct contact with the material during storage. Store in a cool, dry space 55°F - 85°F.
FIRE RATING	ASTM E84 Class A.
COLOR FASTNESS TO LIGHT	Grade 4 min. at 40 hours
COLOR FASTNESS TO CROCK	Grade 4 min. dry & Grade 3 min. wet
ACOUSTIC RATING	NRC: 0.95

ACOUSTICOLOR® ACOUSTIC CEILING CLOUDS: ACOUSTIC TESTING

AcustiColor Acoustic Ceiling Cloud Test Report

The test report quotes the frequency dependent sound absorption data as well as the single number ratings. Data taken from Test Report RAL-A17-0297 conducted by Riverbank Acoustical Laboratories. Complete test results are available upon request.

FREQUENCY (HZ)	ABSORPTION COEFFICIENT
100	0.13
125	0.23
160	0.29
200	0.43
250	0.62
315	0.87
400	0.96
500	1.04
630	1.07
800	1.09
1000	1.11
1250	1.14
1600	1.10
2000	1.10
2500	1.09
3150	1.06
4000	1.07
5000	1.06

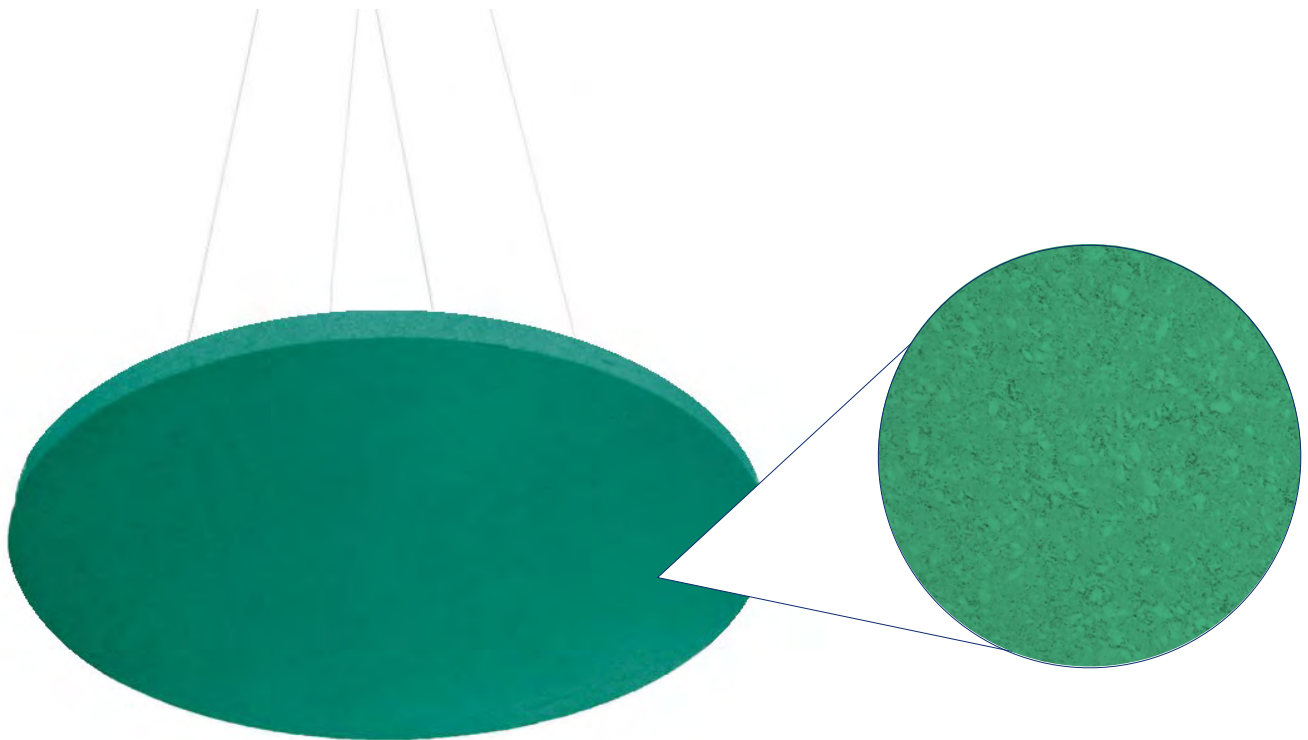


ACOUSTICOLOR® ACOUSTIC CEILING CLOUDS: COATING OPTIONS

The possibilities are endless.

There are 1,000's of color options to choose from Sherwin-Williams' line of acoustical coatings. We can also match colors from other commercial paint manufacturers. With AcoustiColor Acoustic Clouds you have the opportunity to match the decor of any space. Our coated acoustic panels are made from recycled cotton and paper products which gives a unique textured finish.

NOTE: Color matching cannot be guaranteed across shipments from different orders and variation may be more pronounced beyond the normal commercial range.



AcousticColor Acoustic Ceiling Cloud

AcoustiColor Swatch Detail

ACOUSTICOLOR® ACOUSTIC CEILING CLOUDS: COATING OPTIONS

Add exceptional sound absorption, superior aesthetics, and design flexibility that reflects your individual personality and style.

AcoustiColor Acoustic Ceiling Clouds are lightweight and create a modern appearance combined with noise reduction and reverberation control. Stylish lines and soft shapes suspend horizontally from the ceiling and absorb sound across their entire surface for unequaled acoustical performance. Because Acoustic Ceiling Clouds are created using recycled materials, natural variations in texture and shading can occur.



Custom Color



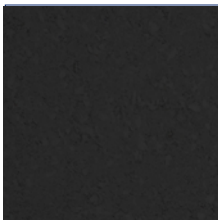
Software



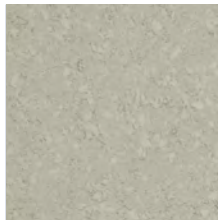
Argos



Stone White



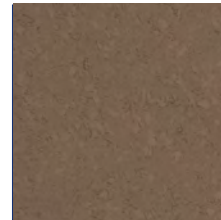
Tricorn Black



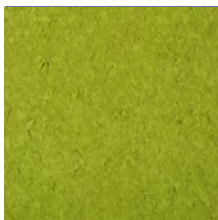
Amazing Gray



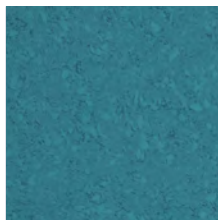
Tavern Taupe



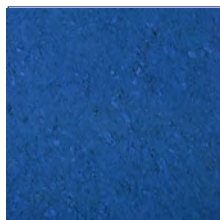
Cobble Brown



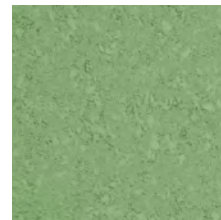
Hep Green



Great Falls



Blue Chip



Organic Green



Daisy



Tango



Redbud

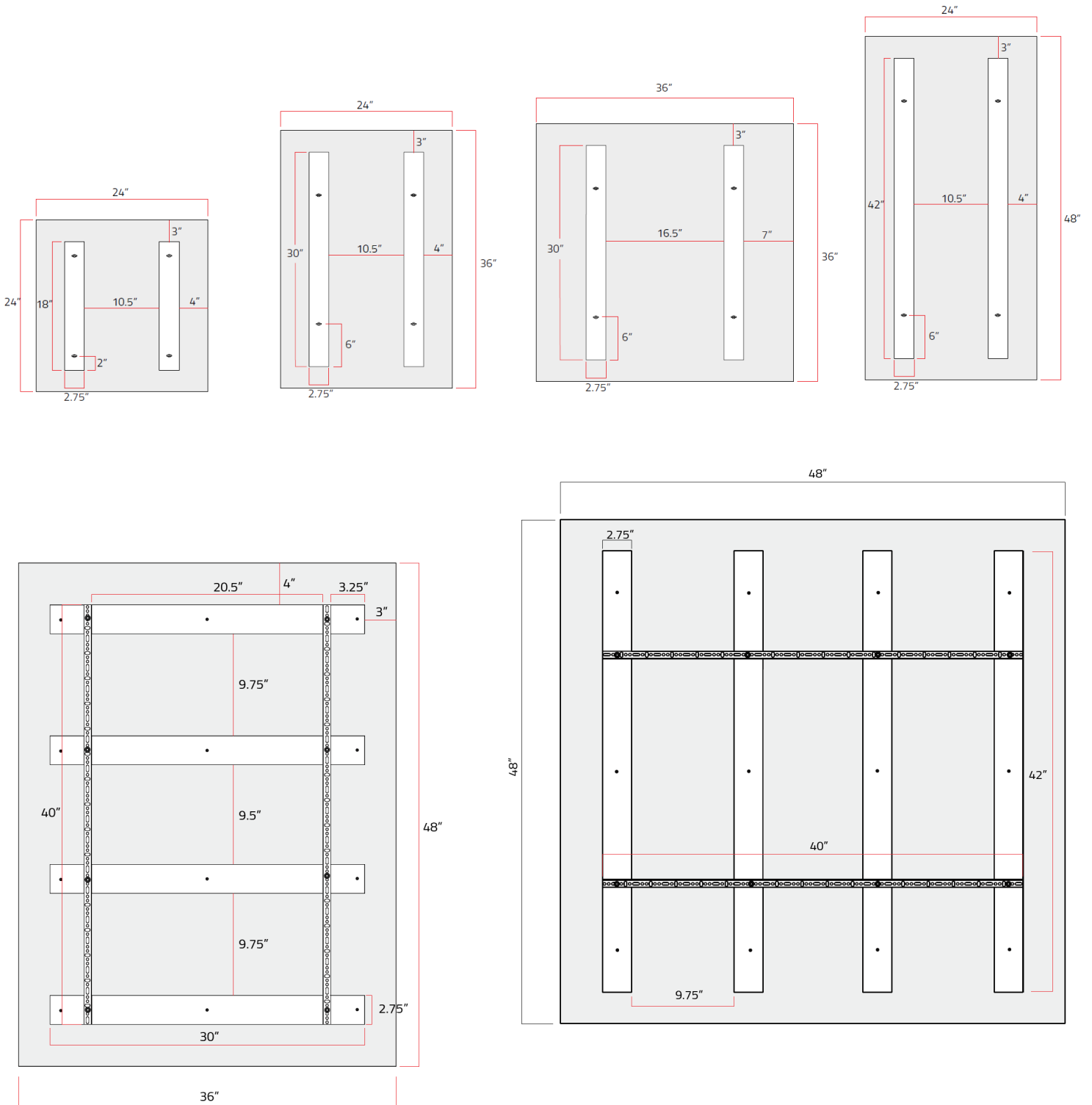


Vigorous Violet



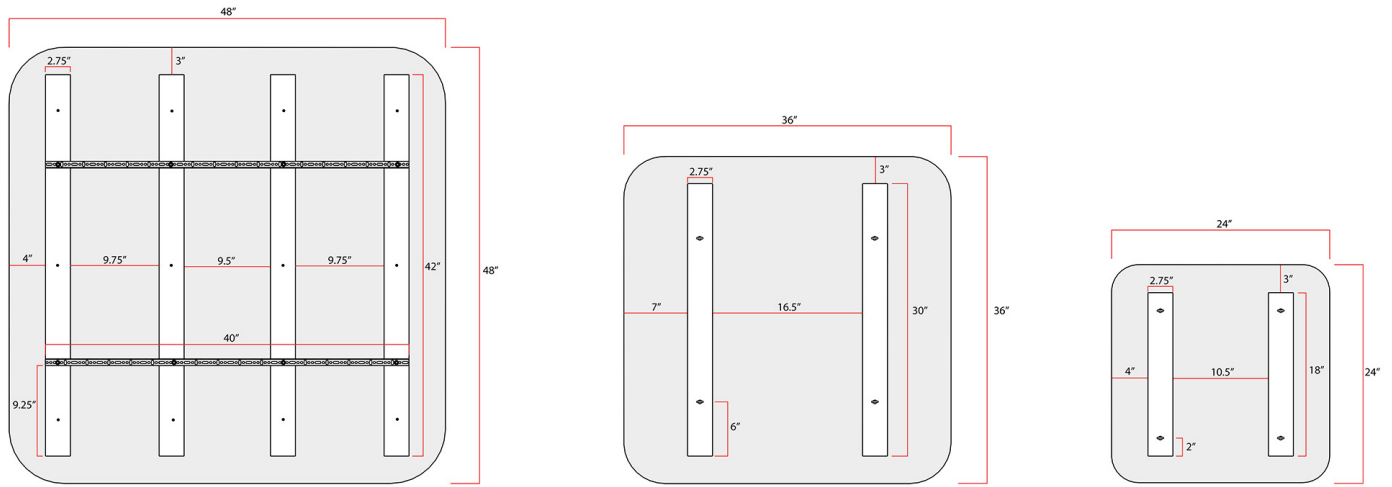
DIMENSIONAL
LAYOUTS

ACOUSTIC CEILING CLOUDS DIMENSIONS

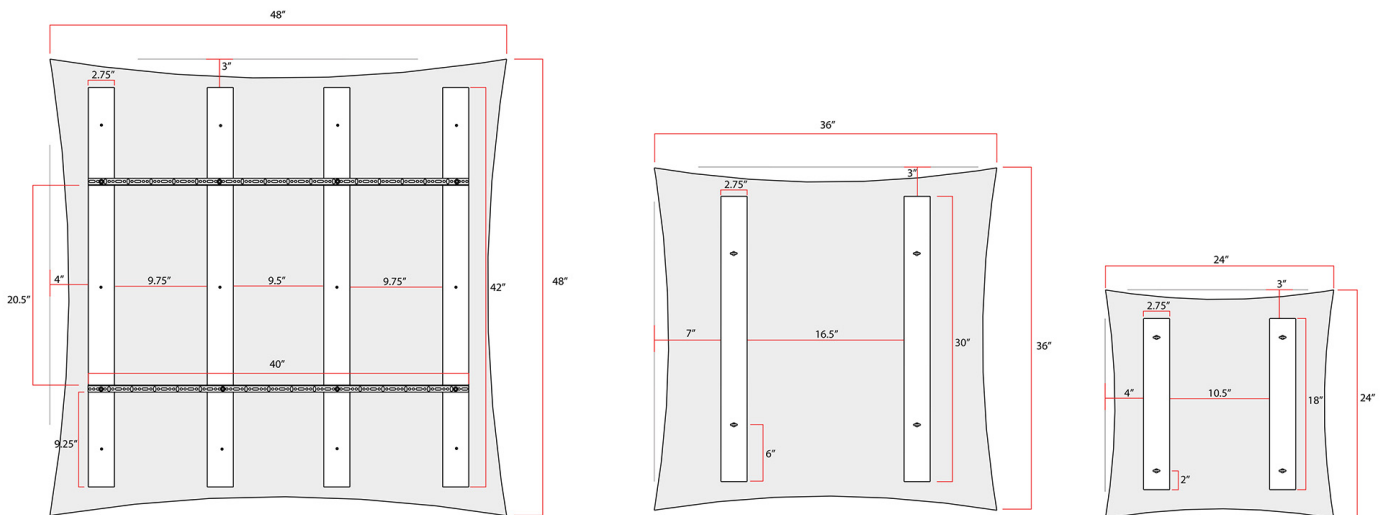


ACCENT ACOUSTIC CEILING CLOUDS DIMENSIONS

Rounded Square

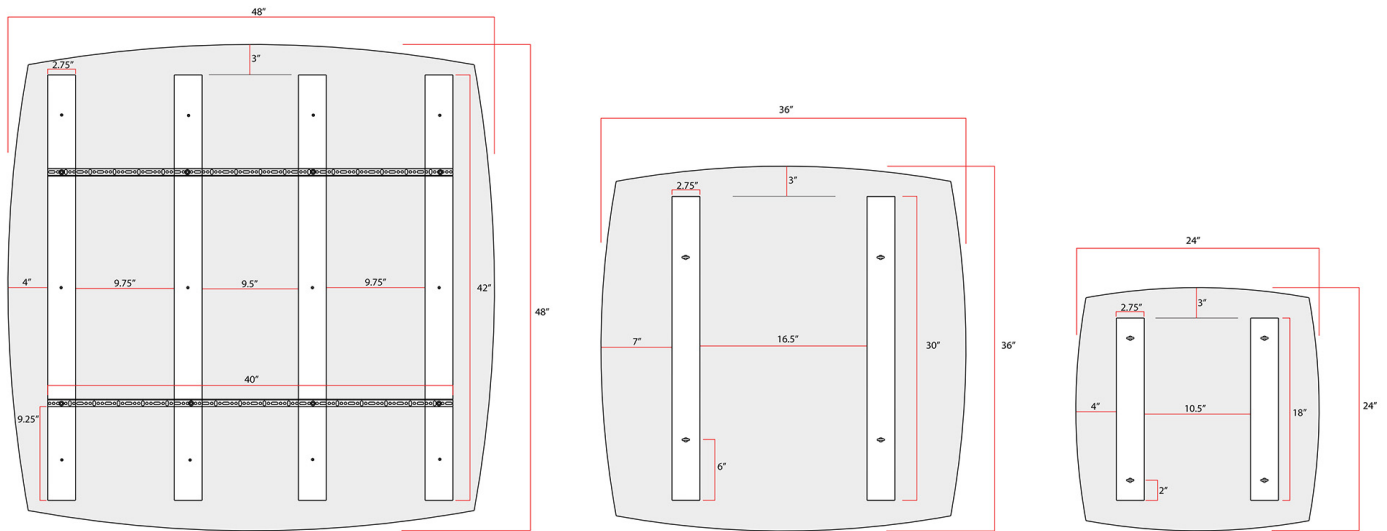


Concave Square

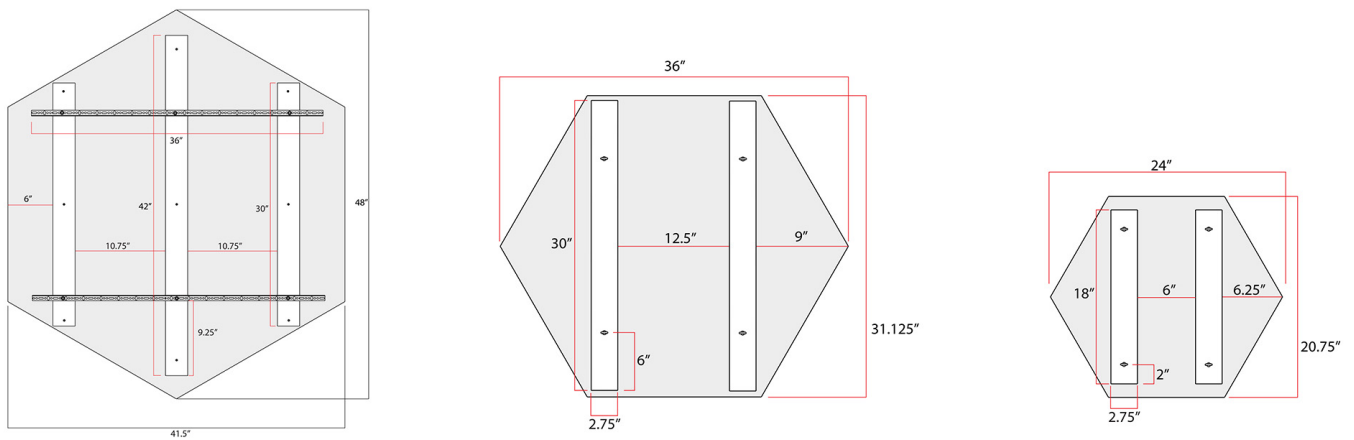


ACCENT ACOUSTIC CEILING CLOUDS DIMENSIONS

Convex Square

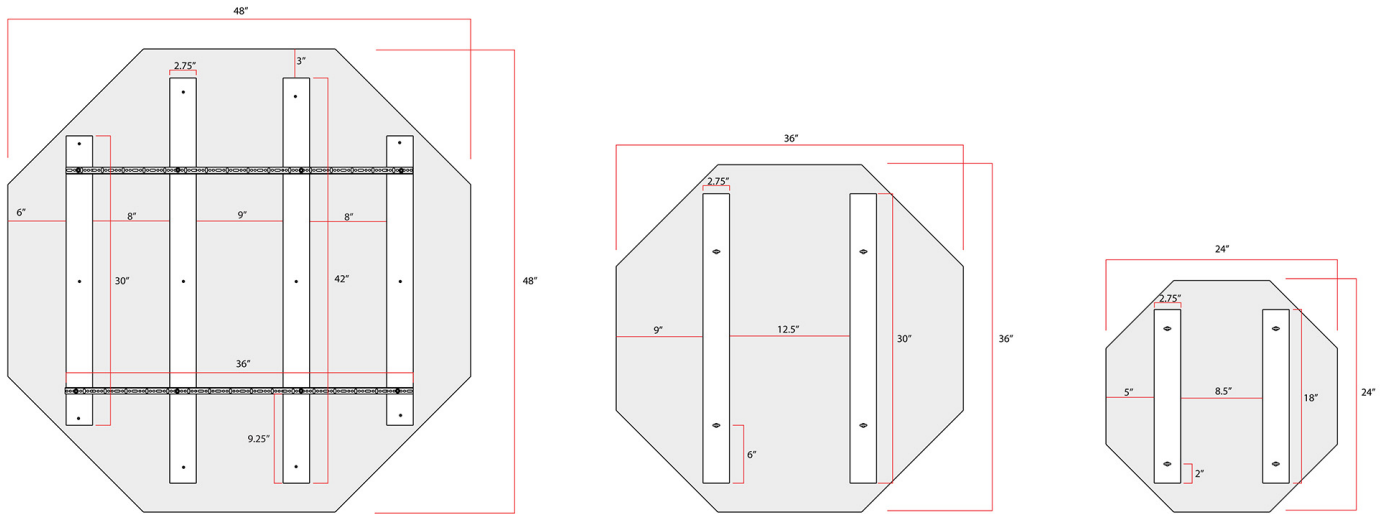


Hexagon

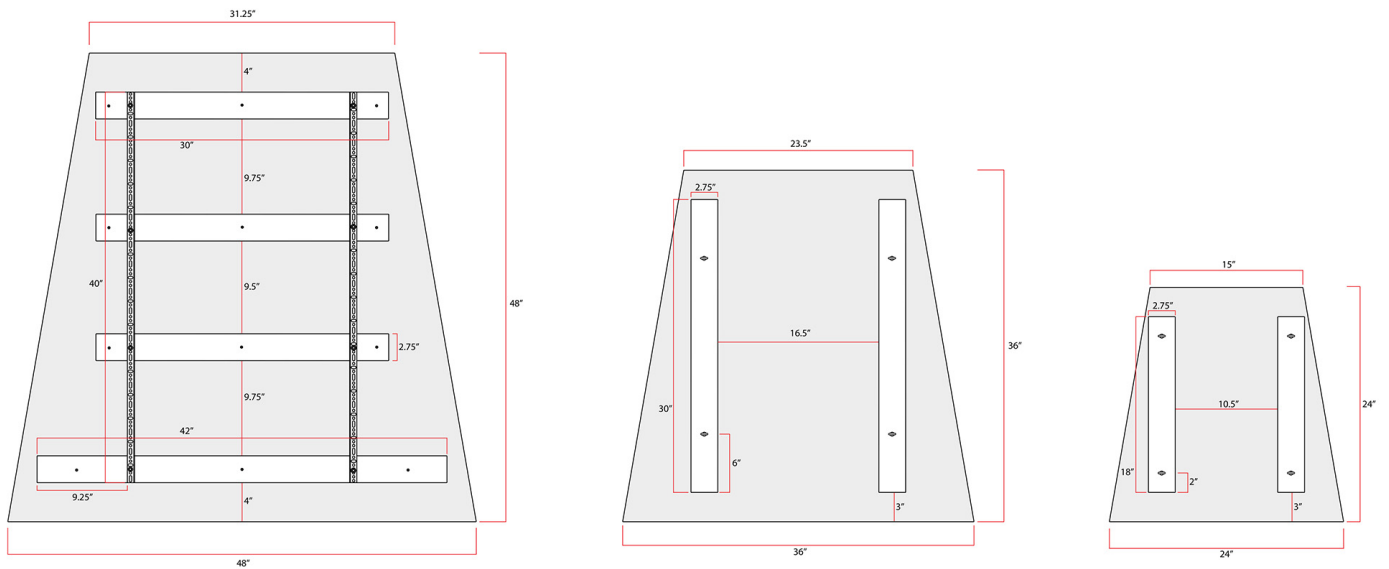


ACCENT ACOUSTIC CEILING CLOUDS DIMENSIONS

Octagon

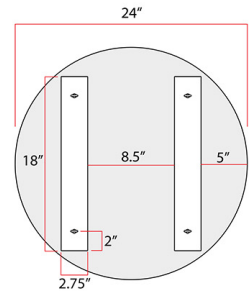
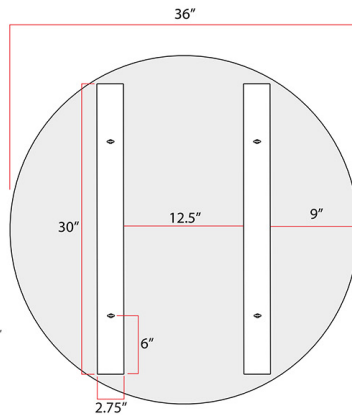
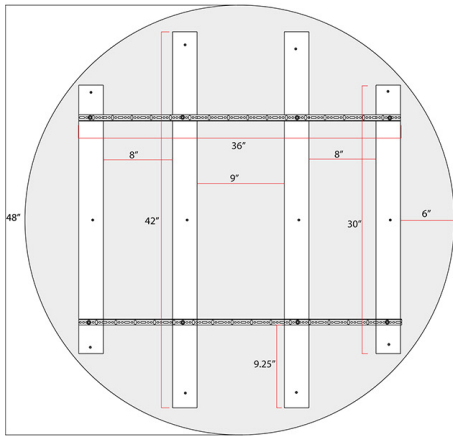


Trapezoid

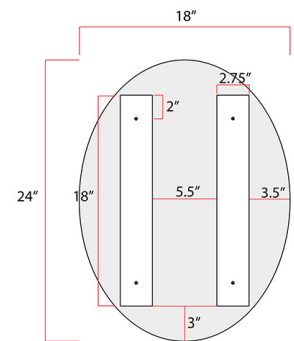
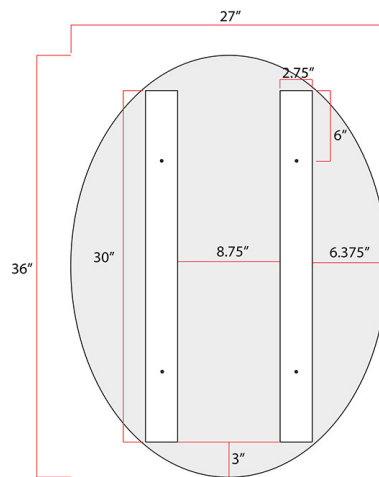
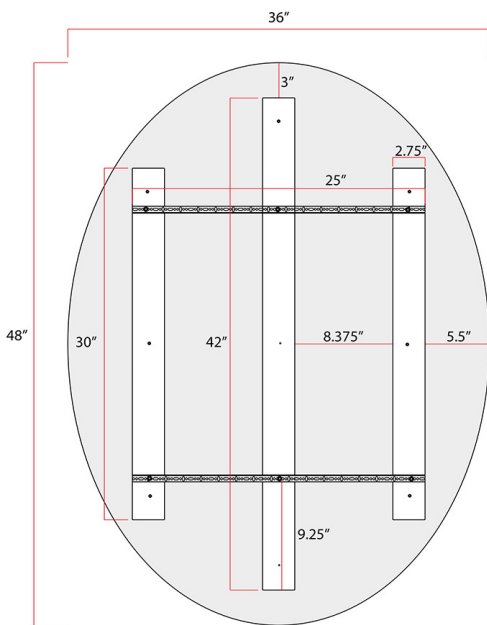


ACCENT ACOUSTIC CEILING CLOUDS DIMENSIONS

Circle

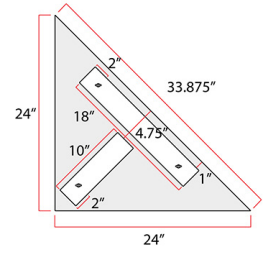
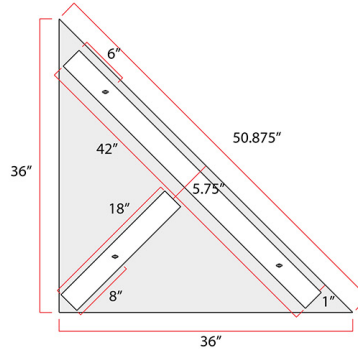
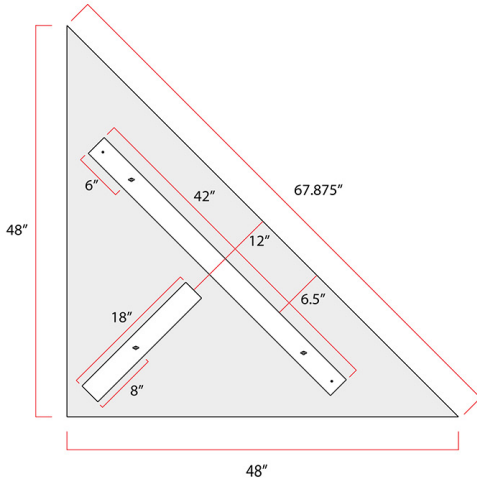


Oval

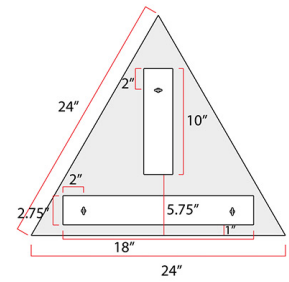
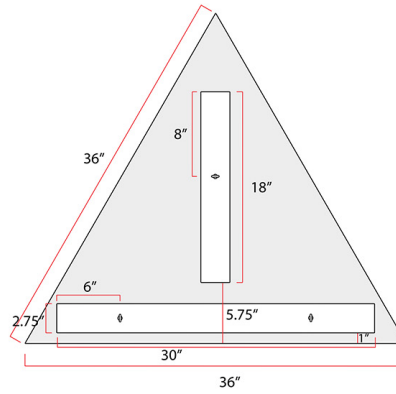
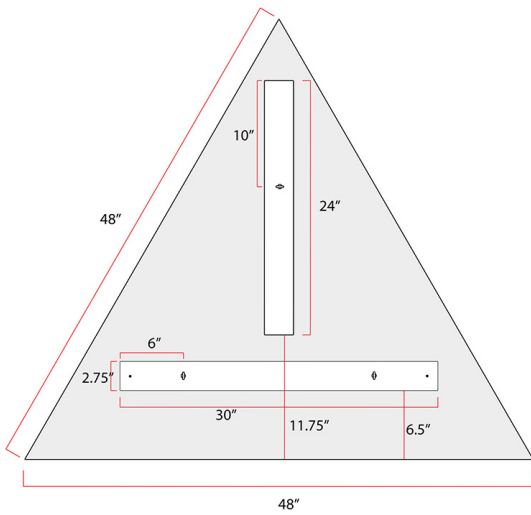


ACCENT ACOUSTIC CEILING CLOUDS DIMENSIONS

Right Triangle



Triangle





INSTALLATION
INSTRUCTIONS

Ceiling Installation Instructions:

AUDIMUTE ACOUSTIC CEILING BAFFLES

AUDIMUTE ACOUSTIC CEILING CLOUDS

Acoustic Ceiling Baffles:



Acoustic Ceiling Clouds (3'x3' and Smaller):



Instructions:

To ensure proper installation, follow the instructions below and check building codes.

1. Start screwing in the included Eye Hooks into the pre-drilled locations by hand, then use a 9/16" socket to finish screwing them in. ****IMPORTANT**** Be sure not to over-tighten.
2. Hang the Baffle or Cloud using hardware with load ratings twice that of the product's weight.

Ceiling Installation Instructions:

AUDIMUTE ACOUSTIC CEILING BAFFLES

AUDIMUTE ACOUSTIC CEILING CLOUDS

Acoustic Ceiling Clouds (3'x4' and Larger):



Tools Required:

- Power Drill w/ Adjustable Torque
- 3/8" Socket Drive
- 3/8" Socket

Included:

- Acoustic Cloud w/ Rigid Substrates
- 3/8" Drive Self-Tapping Screws
- Steel Perforated Angles

Instructions:

To ensure proper installation, follow the instructions below and check building codes.

1. Chuck the 3/8" socket and drive into drill. Set torque setting to middle of torque range.
2. Align and center Steel Perforated Angle with the locating notches in the structural backers.
3. Insert self-tapping screws through the Steel Perforated Angle using the power drill. ****DO NOT**** over-torque the screws; if over-torquing occurs, remove the screw and insert into a new location. ****IMPORTANT**** Set the torque setting to the middle of the torque range.
4. Hang the Cloud using hardware with load ratings twice that of the Cloud's weight.



Mitch Zlotnik
Founder & President of Audimute

Our founder Mitch Zlotnik loved his drums and respected his neighbors. So he invented a versatile sound absorption solution a musician could afford and a neighbor would love. Today our invention, eco-C-tex® is the key ingredient in a versatile suite of sound absorption and sound proofing solutions. Proudly made from 100% recycled materials, Audimute products are revolutionizing the way people experience work, worship, entertainment, and their home.

1.866.505.MUTE
sales@audimute.com
9 am – 5 pm, Monday – Friday EST.